



where quality matters

## **APURVA ENTERPRISES**

7, Vijay Estate, Rajawadi, Ghatkopar (E),  
Mumbai - 400077, Maharashtra, India.

**Ph. No.:-** 91-022-2344 3348 **Fax:-** 91-022-2341 4216.

**E-mail:-** [apurvaenterprises@gmail.com](mailto:apurvaenterprises@gmail.com)  
[apurvaenterprises@hotmail.com](mailto:apurvaenterprises@hotmail.com)

---

# **INSTRUMENTATION PIPE FITTINGS**



where quality matters

## APURVA ENTERPRISES

7, Vijay Estate, Rajawadi, Ghatkopar (E),  
Mumbai - 400077, Maharashtra, India.

Ph. No.:- 91-022-2344 3348 Fax:- 91-022-2341 4216.

E-mail:- [apurvaenterprises@gmail.com](mailto:apurvaenterprises@gmail.com)  
[apurvaenterprises@hotmail.com](mailto:apurvaenterprises@hotmail.com)

### PRODUCT INDEX

DESCRIPTION	PAGE #
<b>Instrumentation Pipe Fitting Nomenclature</b>	3, 4.
<b>Ordering Procedure</b>	5.
<b>STRAIGHT CONNECTORS</b>	
Hex. Nipple	7.
Reducing Hex. Nipple	8.
Hex. Long Nipple	9.
Close Nipple	10.
Hex. Coupling	11.
Reducing Hex. Coupling	12.
Adapter	13.
Reducing Adapter	14.
Gauge Adapter	15.
Reducing Bushing	16.
Cap	17.
Plug	18.
<b>90° CONNECTORS</b>	
Male Elbow	20.
Female Elbow	21.
Street Elbow	22.
Reducing Street Elbow	23.
<b>BRANCH CONNECTORS</b>	
Male Tee	25.
Female Tee	26.
Male Run Tee	27.
Male Branch Tee	28.
Female Cross	29.

## Instrumentation Pipe Fitting Nomenclature

### Thread Size Designation

Thread Size (in)	Size Designator
1/8	2
1/4	4
3/8	6
1/2	8
5/8	10
3/4	12
1	16

### Thread Designator

Thread Type	Thread Type Designator
NPT	N
ISO/BSPT (Taper)	R
ISO/BSPP (Parallel)	G

### Material of Fittings

Material	Designator
Steel	S
Stainless Steel 316	S6
Stainless Steel 316L	S6L
Stainless Steel 304	S4
Brass	B
Other Material	On Request
Material conforming to NACE MR 01-75 available on request	



where quality matters

## APURVA ENTERPRISES

7, Vijay Estate, Rajawadi, Ghatkopar (E),  
Mumbai - 400077, Maharashtra, India.

Ph. No.:- 91-022-2344 3348 Fax:- 91-022-2341 4216.

E-mail:- [apurvaenterprises@gmail.com](mailto:apurvaenterprises@gmail.com)  
[apurvaenterprises@hotmail.com](mailto:apurvaenterprises@hotmail.com)

### Instrumentation Pipe Fittings Designators

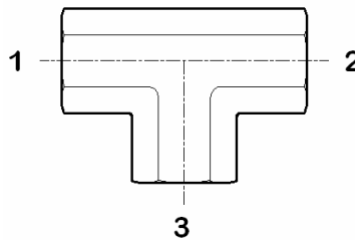
Connectors	Connector Designators
<b>STRAIGHT CONNECTORS</b>	
Hex. Nipple	D-HN
Reducing Hex. Nipple	D-RHN
Hex. Long Nipple	D-HLN
Close Nipple	D-CN
Hex. Coupling	D-HC
Reducing Hex. Coupling	D-RHC
Adapter	D-A
Reducing Adapter	D-RA
Gauge Adapter	D-GA
Reducing Bushing	D-RB
Cap	D-C
Plug	D-P
<b>90° CONNECTORS</b>	
Male Elbow	D-ME
Female Elbow	D-FE
Street Elbow	D-SE
Reducing Street Elbow	D-RSE
<b>BRANCH CONNECTORS</b>	
Male Tee	D-MT
Female Tee	D-FT
Male Run Tee	D-MBT
Male Branch Tee	D-MRT
Female Cross	D-FC

## Ordering Procedure

Pipe Thread Size	Type Of Fitting	Pipe Thread Size (specify if required)	Thread Type	Material
---------------------	--------------------	--	----------------	----------

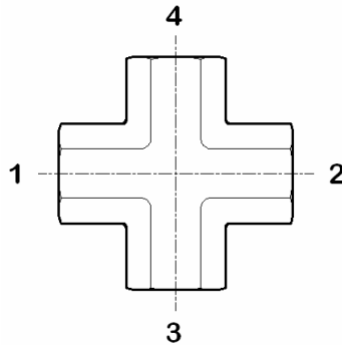
Incase of ordering Unequal Tee and Cross, kindly order as per the procedure mentioned below:

**For Unequal Tee:**



Pipe Thread Size	Type of Fittings	Pipe Thread Size	Pipe Thread Size	Thread Type	Material
---------------------	---------------------	---------------------	---------------------	----------------	----------

**For Unequal Cross:**



Pipe Thread Size	Type of Fittings	Pipe Thread Size	Pipe Thread Size	Pipe Thread Size	Thread Type	Material
---------------------	---------------------	---------------------	---------------------	---------------------	----------------	----------



where quality matters

## **APURVA ENTERPRISES**

7, Vijay Estate, Rajawadi, Ghatkopar (E),  
Mumbai - 400077, Maharashtra, India.

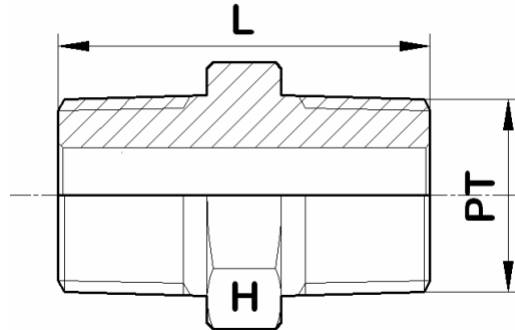
**Ph. No.:-** 91-022-2344 3348 **Fax:-** 91-022-2341 4216.

**E-mail:-** [apurvaenterprises@gmail.com](mailto:apurvaenterprises@gmail.com)  
[apurvaenterprises@hotmail.com](mailto:apurvaenterprises@hotmail.com)

---

## **STRAIGHT CONNECTORS**

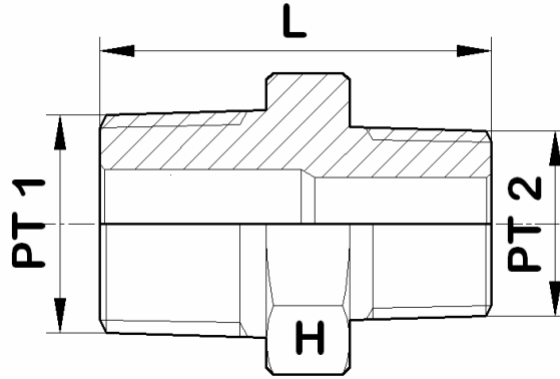
**Hex. Nipple**



Apurva Code	PT* (in)	H (in)	L
2 D-HN N	1/8	7/16	26
4 D-HN N	1/4	9/16	35.5
6 D-HN N	3/8	11/16	36.5
8 D-HN N	1/2	7/8	46.7
12 D-HN N	3/4	1-1/16	46.7
16 D-HN N	1	1-3/8	59

\* Standard PT is NPT. For other forms of PT, kindly change letter N with the appropriate letter from Thread Designator Table.

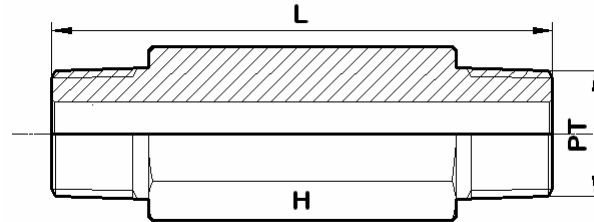
**Reducing Hex. Nipple**



Apurva Code	PT 1* (in)	PT 2* (in)	H (in)	L
2 D-RHN 1 N	1/8	1/16	7/16	26
4 D-RHN 2 N	1/4	1/8	9/16	31
6 D-RHN 2 N	3/8	1/8	11/16	32
6 D-RHN 4 N	3/8	1/4	11/16	36.5
8 D-RHN 2 N	1/2	1/8	7/8	37.5
8 D-RHN 4 N	1/2	1/4	7/8	42
8 D-RHN 6 N	1/2	3/8	7/8	42
12 D-RHN 4 N	3/4	1/4	1-1/16	42
12 D-RHN 8 N	3/4	1/2	1-1/16	46.8
16 D-RHN 8 N	1	1/2	1-3/8	54
16 D-RHN 12 N	1	3/4	1-3/8	54

\* Standard PT is NPT. For other forms of PT, kindly change letter N with the appropriate letter from Thread Designator Table.

**Hex. Long Nipple**

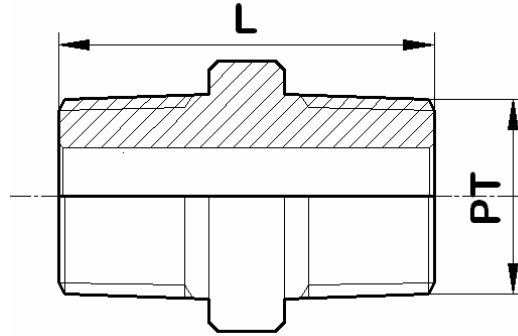


Apurva Code	PT* (in)	H (in)
2 D-HLN N	1/8	7/16
4 D-HLN N	1/4	9/16
6 D-HLN N	3/8	11/16
8 D-HLN N	1/2	7/8
12 D-HLN N	3/4	1-1/16
16 D-HLN N	1	1-3/8

**Note** : Kindly specify the length "L" as per your requirement.

\* Standard PT is NPT. For other forms of PT, kindly change letter N with the appropriate letter from Thread Designator Table.

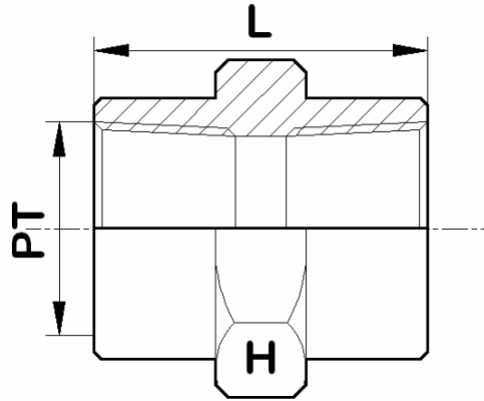
Close Nipple



Apurva Code	PT* (in)	L
2 D-CN N	1/8	19
4 D-CN N	1/4	28.5
6 D-CN N	3/8	28.5
8 D-CN N	1/2	31.7
12 D-CN N	3/4	31.7
16 D-CN N	1	48

\* Standard PT is NPT. For other forms of PT, kindly change letter N with the appropriate letter from Thread Designator Table.

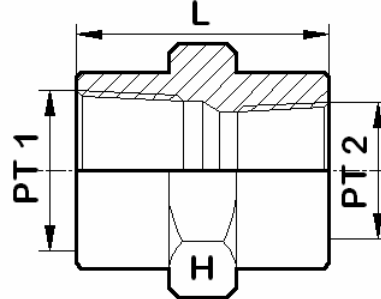
**Hex. Coupling**



Apurva Code	PT* (in)	H (in)	L
2 D-HC N	1/8	9/16	21
4 D-HC N	1/4	3/4	30
6 D-HC N	3/8	7/8	33.5
8 D-HC N	1/2	1-1/16	40
12 D-HC N	3/4	1-5/16	41
16 D-HC N	1	1-5/8	48

\* Standard PT is NPT. For other forms of PT, kindly change letter N with the appropriate letter from Thread Designator Table.

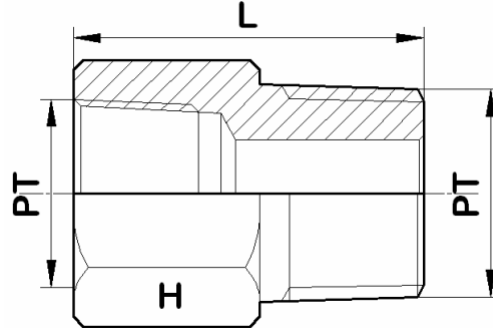
**Reducing Hex. Coupling**



Apurva Code	PT 1* (in)	PT 2* (in)	H (in)	L
4 D-RHC 2 N	1/4	1/8	3/4	31
6 D-RHC 4 N	3/8	1/4	7/8	35
8 D-RHC 2 N	1/2	1/8	1-1/16	40
8 D-RHC 4 N	1/2	1/4	1-1/16	44.5
8 D-RHC 6 N	1/2	3/8	1-1/16	45.3
12 D-RHC 4 N	3/4	1/4	1-5/16	46
12 D-RHC 8 N	3/4	1/2	1-5/16	52.5
16 D-RHC 8 N	1	1/2	1-5/8	55.7
16 D-RHC 12 N	1	3/4	1-5/8	57.3

\* Standard PT is NPT. For other forms of PT, kindly change letter N with the appropriate letter from Thread Designator Table.

Adapter



Apurva Code	PT* (in)	H (in)	L
2 D-A N	1/8	9/16	28
4 D-A N	1/4	3/4	35.8
6 D-A N	3/8	7/8	38.5
8 D-A N	1/2	1-1/16	49.5
12 D-A N	3/4	1-5/16	51.5
16 D-A N	1	1-5/8	58

\* Standard PT is NPT. For other forms of PT, kindly change letter N with the appropriate letter from Thread Designator Table.



where quality matters

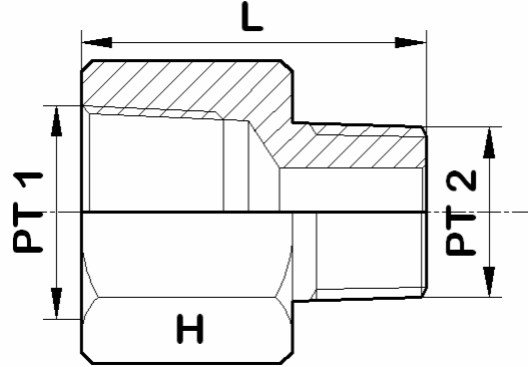
## APURVA ENTERPRISES

7, Vijay Estate, Rajawadi, Ghatkopar (E),  
Mumbai - 400077, Maharashtra, India.

Ph. No.:- 91-022-2344 3348 Fax:- 91-022-2341 4216.

E-mail:- [apurvaenterprises@gmail.com](mailto:apurvaenterprises@gmail.com)  
[apurvaenterprises@hotmail.com](mailto:apurvaenterprises@hotmail.com)

### Reducing Adapter



Apurva Code	PT 1* (in)	PT 2* (in)	H (in)	L
2 D-RA 1 N	1/8	1/16	9/16	28
4 D-RA 2 N	1/4	1/8	3/4	31
6 D-RA 2 N	3/8	1/8	7/8	33.5
6 D-RA 4 N	3/8	1/4	7/8	38
8 D-RA 2 N	1/2	1/8	1-1/16	40
8 D-RA 4 N	1/2	1/4	1-1/16	44.5
8 D-RA 6 N	1/2	3/8	1-1/16	45
12 D-RA 4 N	3/4	1/4	1-5/16	46.5
12 D-RA 6 N	3/4	3/8	1-5/16	46.5
12 D-RA 8 N	3/4	1/2	1-5/16	51.5
16 D-RA 4 N	1	1/4	1-5/8	50
16 D-RA 8 N	1	1/2	1-5/8	54
16 D-RA 12 N	1	3/4	1-5/8	55

\* Standard PT is NPT. For other forms of PT, kindly change letter N with the appropriate letter from Thread Designator Table.



where quality matters

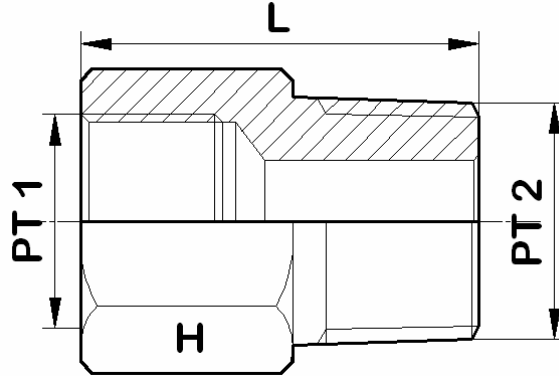
## APURVA ENTERPRISES

7, Vijay Estate, Rajawadi, Ghatkopar (E),  
Mumbai - 400077, Maharashtra, India.

Ph. No.:- 91-022-2344 3348 Fax:- 91-022-2341 4216.

E-mail:- [apurvaenterprises@gmail.com](mailto:apurvaenterprises@gmail.com)  
[apurvaenterprises@hotmail.com](mailto:apurvaenterprises@hotmail.com)

Gauge Adapter



Apurva Code	PT1 (BSPP) (in)	PT2 (NPT) (in)	H (in)	L
4 D-GA N	1/4	1/4	9/16	28
6 D-GA N	3/8	3/8	3/4	31
8 D-GA N	1/2	1/2	7/8	33.5



where quality matters

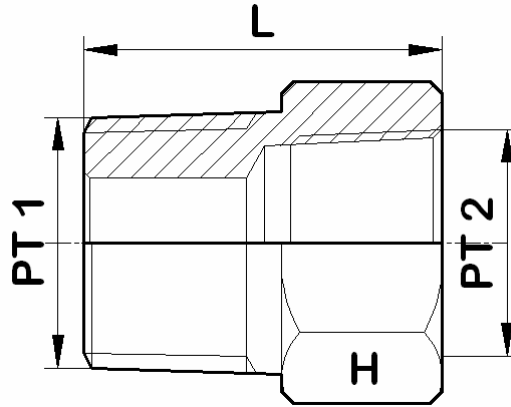
## APURVA ENTERPRISES

7, Vijay Estate, Rajawadi, Ghatkopar (E),  
Mumbai - 400077, Maharashtra, India.

Ph. No.:- 91-022-2344 3348 Fax:- 91-022-2341 4216.

E-mail:- [apurvaenterprises@gmail.com](mailto:apurvaenterprises@gmail.com)  
[apurvaenterprises@hotmail.com](mailto:apurvaenterprises@hotmail.com)

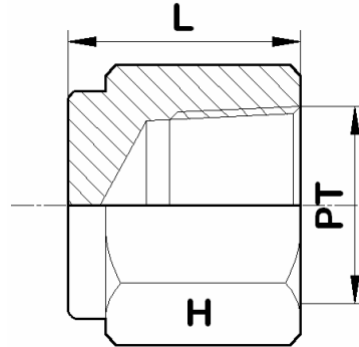
### Reducing Bushing



Apurva Code	PT 1* (in)	PT 2* (in)	H (in)	L
2 D-RB 1 N	1/8	1/16	7/16	26
4 D-RB 2 N	1/4	1/8	9/16	27
6 D-RB 2 N	3/8	1/8	3/4	22
6 D-RB 4 N	3/8	1/4	3/4	30.5
8 D-RB 2 N	1/2	1/8	7/8	27.5
8 D-RB 4 N	1/2	1/4	7/8	27.5
8 D-RB 6 N	1/2	3/8	7/8	36
12 D-RB 4 N	3/4	1/4	1-1/16	27.5
12 D-RB 6 N	3/4	3/8	1-1/16	27.5
12 D-RB 8 N	3/4	1/2	1-1/16	41.5
16 D-RB 4 N	1	1/4	1-3/8	35
16 D-RB 6 N	1	3/8	1-3/8	35
16 D-RB 8 N	1	1/2	1-3/8	35
16 D-RB 12 N	1	3/4	1-3/8	47

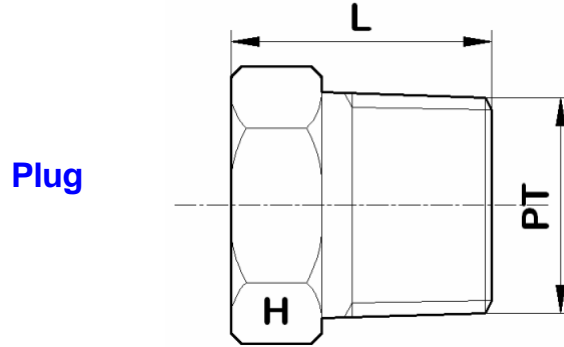
\* Standard PT is NPT. For other forms of PT, kindly change letter N with the appropriate letter from Thread Designator Table.

Cap



Apurva Code	PT* (in)	H (in)	L
2 D-C N	1/8	9/16	19
4 D-C N	1/4	3/4	23
6 D-C N	3/8	7/8	26.25
8 D-C N	1/2	1-1/16	34
12 D-C N	3/4	1-5/16	36.5
16 D-C N	1	1-5/8	41

\* Standard PT is NPT. For other forms of PT, kindly change letter N with the appropriate letter from Thread Designator Table.



Apurva Code	PT* (in)	H (in)	L
2 D-P N	1/8	7/16	19
4 D-P N	1/4	9/16	24.5
6 D-P N	3/8	11/16	25
8 D-P N	1/2	7/8	31
12 D-P N	3/4	1-1/16	31
16 D-P N	1	1-3/8	38

\* Standard PT is NPT. For other forms of PT, kindly change letter N with the appropriate letter from Thread Designator Table.



where quality matters

## **APURVA ENTERPRISES**

7, Vijay Estate, Rajawadi, Ghatkopar (E),  
Mumbai - 400077, Maharashtra, India.

**Ph. No.:-** 91-022-2344 3348 **Fax:-** 91-022-2341 4216.

**E-mail:-** [apurvaenterprises@gmail.com](mailto:apurvaenterprises@gmail.com)  
[apurvaenterprises@hotmail.com](mailto:apurvaenterprises@hotmail.com)

---

## **90' CONNECTORS**



where quality matters

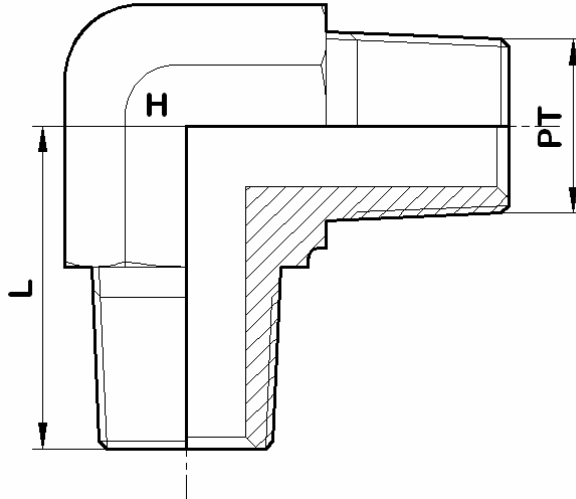
## APURVA ENTERPRISES

7, Vijay Estate, Rajawadi, Ghatkopar (E),  
Mumbai - 400077, Maharashtra, India.

Ph. No.:- 91-022-2344 3348 Fax:- 91-022-2341 4216.

E-mail:- [apurvaenterprises@gmail.com](mailto:apurvaenterprises@gmail.com)  
[apurvaenterprises@hotmail.com](mailto:apurvaenterprises@hotmail.com)

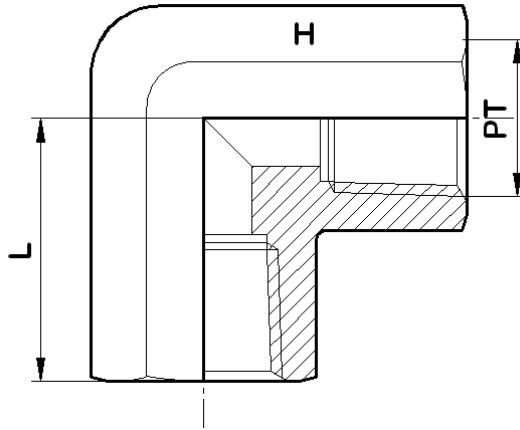
Male Elbow



Apurva Code	PT* (in)	H (in)	L
2 D-ME N	1/8	1/2	22
4 D-ME N	1/4	19/32	26.5
6 D-ME N	3/8	3/4	29.5
8 D-ME N	1/2	7/8	36.5

\* Standard PT is NPT. For other forms of PT, kindly change letter N with the appropriate letter from Thread Designator Table.

**Female Elbow**



Apurva Code	PT* (in)	H (in)	L
2 D-FE N	1/8	5/8	26.5
4 D-FE N	1/4	13/16	29.5
6 D-FE N	3/8	15/16	36
8 D-FE N	1/2	1-1/16	39.5
12 D-FE N	3/4	1-3/8	48.5
16 D-FE N	1	1-11/16	48.5

\* Standard PT is NPT. For other forms of PT, kindly change letter N with the appropriate letter from Thread Designator Table.



where quality matters

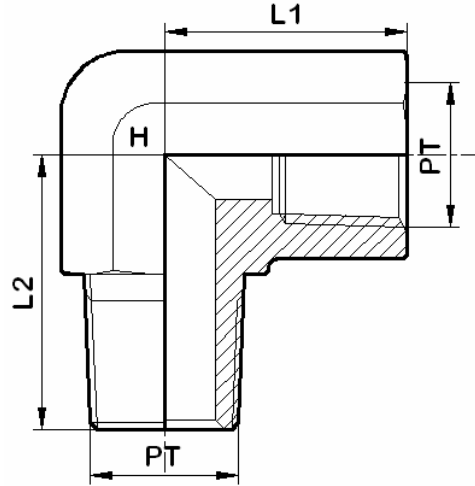
## APURVA ENTERPRISES

7, Vijay Estate, Rajawadi, Ghatkopar (E),  
Mumbai - 400077, Maharashtra, India.

Ph. No.:- 91-022-2344 3348 Fax:- 91-022-2341 4216.

E-mail:- [apurvaenterprises@gmail.com](mailto:apurvaenterprises@gmail.com)  
[apurvaenterprises@hotmail.com](mailto:apurvaenterprises@hotmail.com)

### Street Elbow



Apurva Code	PT* (in)	H (in)	L1	L2
2 D-SE N	1/8	5/8	26.5	22
4 D-SE N	1/4	13/16	29.5	29.5
6 D-SE N	3/8	15/16	36	32
8 D-SE N	1/2	1-1/16	39.5	39.5
12 D-SE N	3/4	1-3/8	48.5	42.5
16 D-SE N	1	1-11/16	48.5	48.5

\* Standard PT is NPT. For other forms of PT, kindly change letter N with the appropriate letter from Thread Designator Table.



where quality matters

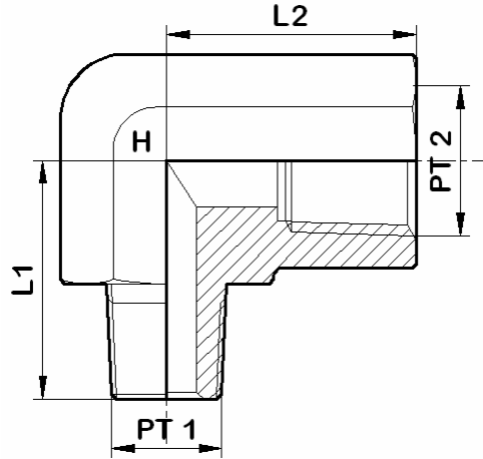
## APURVA ENTERPRISES

7, Vijay Estate, Rajawadi, Ghatkopar (E),  
Mumbai - 400077, Maharashtra, India.

Ph. No.:- 91-022-2344 3348 Fax:- 91-022-2341 4216.

E-mail:- [apurvaenterprises@gmail.com](mailto:apurvaenterprises@gmail.com)  
[apurvaenterprises@hotmail.com](mailto:apurvaenterprises@hotmail.com)

### Reducing Street Elbow



Apurva Code	PT 1* (in)	PT 2* (in)	H (in)	L1	L2
4 D-RSE 2 N	1/4	1/8	5/8	22	26.5
6 D-RSE 4 N	3/8	1/4	13/16	29.5	29.5
8 D-RSE 4 N	1/2	1/4	15/16	32	36
8 D-RSE 6 N	1/2	3/8	15/16	39.5	39.5
12 D-RSE 8 N	3/4	1/2	1-1/16	42.5	48.5
16 D-RSE 8 N	1	1/2	1-3/8	48.5	48.5

\* Standard PT is NPT. For other forms of PT, kindly change letter N with the appropriate letter from Thread Designator Table.



where quality matters

## **APURVA ENTERPRISES**

7, Vijay Estate, Rajawadi, Ghatkopar (E),  
Mumbai - 400077, Maharashtra, India.

**Ph. No.:-** 91-022-2344 3348 **Fax:-** 91-022-2341 4216.

**E-mail:-** [apurvaenterprises@gmail.com](mailto:apurvaenterprises@gmail.com)  
[apurvaenterprises@hotmail.com](mailto:apurvaenterprises@hotmail.com)

---

## **BRANCH CONNECTORS**



where quality matters

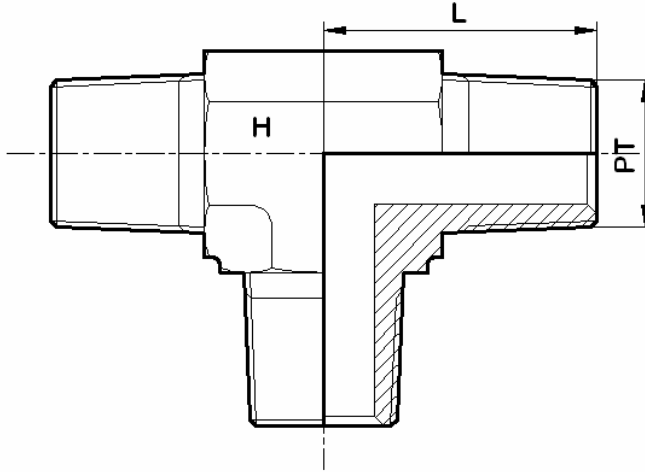
## APURVA ENTERPRISES

7, Vijay Estate, Rajawadi, Ghatkopar (E),  
Mumbai - 400077, Maharashtra, India.

Ph. No.:- 91-022-2344 3348 Fax:- 91-022-2341 4216.

E-mail:- [apurvaenterprises@gmail.com](mailto:apurvaenterprises@gmail.com)  
[apurvaenterprises@hotmail.com](mailto:apurvaenterprises@hotmail.com)

Male Tee



Apurva Code	PT* (in)	H (in)	L
2 D-MT N	1/8	1/2	22
4 D-MT N	1/4	19/32	26.5
6 D-MT N	3/8	3/4	29.5
8 D-MT N	1/2	7/8	37

\* Standard PT is NPT. For other forms of PT, kindly change letter N with the appropriate letter from Thread Designator Table.



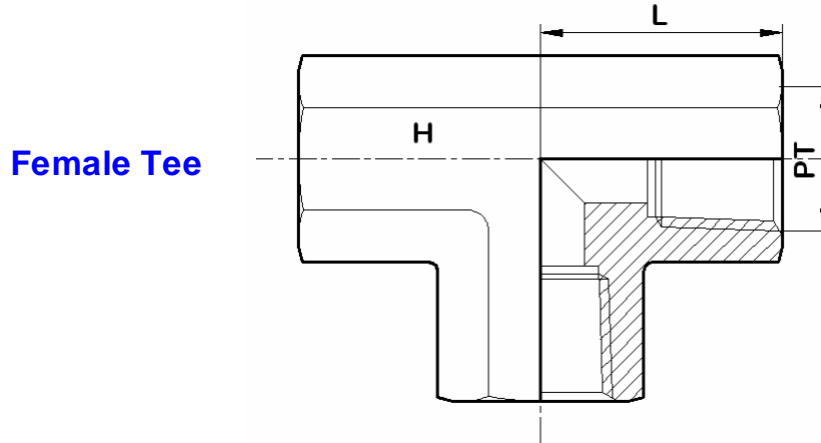
where quality matters

## APURVA ENTERPRISES

7, Vijay Estate, Rajawadi, Ghatkopar (E),  
Mumbai - 400077, Maharashtra, India.

Ph. No.:- 91-022-2344 3348 Fax:- 91-022-2341 4216.

E-mail:- [apurvaenterprises@gmail.com](mailto:apurvaenterprises@gmail.com)  
[apurvaenterprises@hotmail.com](mailto:apurvaenterprises@hotmail.com)



Apurva Code	PT* (in)	H (in)	L
2 D-FT N	1/8	5/8	26.5
4 D-FT N	1/4	13/16	29.5
6 D-FT N	3/8	15/16	36
8 D-FT N	1/2	1-1/16	39.5
12 D-FT N	3/4	1-3/8	48.5
16 D-FT N	1	1-11/16	48.5

\* Standard PT is NPT. For other forms of PT, kindly change letter N with the appropriate letter from Thread Designator Table.



where quality matters

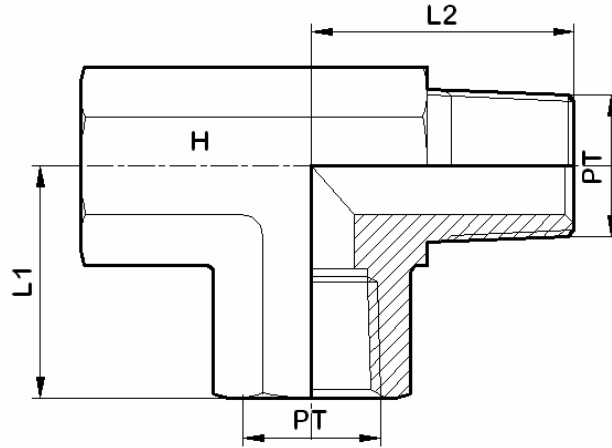
# APURVA ENTERPRISES

7, Vijay Estate, Rajawadi, Ghatkopar (E),  
Mumbai - 400077, Maharashtra, India.

Ph. No.:- 91-022-2344 3348 Fax:- 91-022-2341 4216.

E-mail:- [apurvaenterprises@gmail.com](mailto:apurvaenterprises@gmail.com)  
[apurvaenterprises@hotmail.com](mailto:apurvaenterprises@hotmail.com)

## Male Run Tee



Apurva Code	PT* (in)	H (in)	L1	L2
2 D-MRT N	1/8	5/8	26.5	22
4 D-MRT N	1/4	13/16	29.5	29.5
6 D-MRT N	3/8	15/16	36	32
8 D-MRT N	1/2	1-1/16	39.5	39.5

\* Standard PT is NPT. For other forms of PT, kindly change letter N with the appropriate letter from Thread Designator Table.



where quality matters

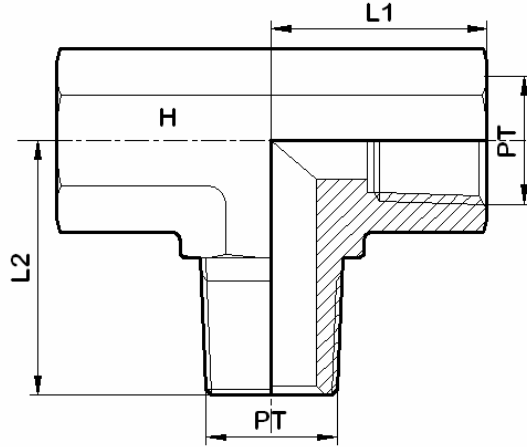
## APURVA ENTERPRISES

7, Vijay Estate, Rajawadi, Ghatkopar (E),  
Mumbai - 400077, Maharashtra, India.

Ph. No.:- 91-022-2344 3348 Fax:- 91-022-2341 4216.

E-mail:- [apurvaenterprises@gmail.com](mailto:apurvaenterprises@gmail.com)  
[apurvaenterprises@hotmail.com](mailto:apurvaenterprises@hotmail.com)

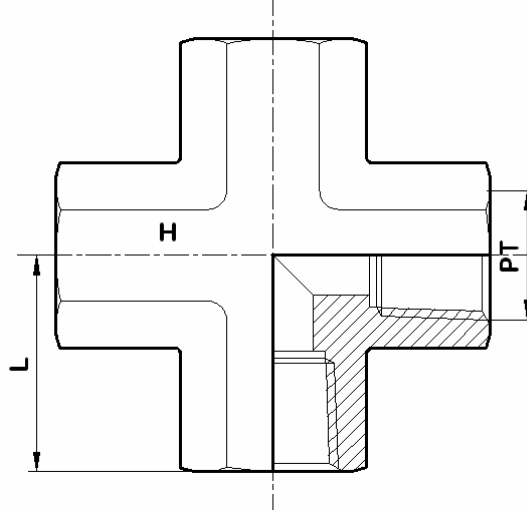
### Male Branch Tee



Apurva Code	PT* (in)	H (in)	L1	L2
2 D-MBT N	1/8	5/8	26.5	22
4 D-MBT N	1/4	13/16	29.5	29.5
6 D-MBT N	3/8	15/16	36	32
8 D-MBT N	1/2	1-1/16	39.5	39.5

\* Standard PT is NPT. For other forms of PT, kindly change letter N with the appropriate letter from Thread Designator Table.

**Female Cross**



Apurva Code	PT* (in)	H (in)	L
2 D-FC N	1/8	19/32	26.5
4 D-FC N	1/4	11/16	29.5
6 D-FC N	3/8	7/8	36
8 D-FC N	1/2	1-1/8	39.5

\* Standard PT is NPT. For other forms of PT, kindly change letter N with the appropriate letter from Thread Designator Table.